

REFERENCE : KI0317

SIZES : U

COMPOSITION :

Main fabric : Polyester oxford 600D PU backing As external fabric. 100%polyester

Lining 1 : EPA foam As foam on inside, special for cooler bags. 100%EPA

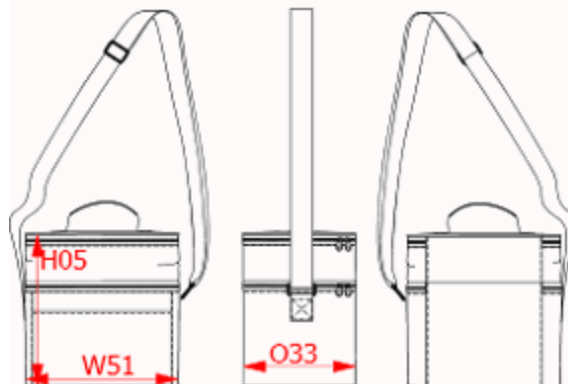
Lining 2 : PEVA As lining on inside, special for cooler bags. 100%polyethylene vinyl acetate

FABRIC CONSTRUCTION AND FINISHING :

Polyester oxford 600D PU Backing + EPA + PEVA

ARTICLE WEIGHT :

260 gr/pc



DESCRIPTION		COLORS	PANTONE SERIGRAPHIE
Français : Sac isotherme double compartiment English : Double compartment cooler bag Nederlands : Double compartment cooler bag Deutsch : Doppelfach Kühltasche Español : Bolsa nevera doble compartimiento Italiano : Borsa frigo con doppio scompartimento Português : Saco térmico con duplo compartimento		Light grey	2331C
		Navy	296C
MEASUREMENT			
Description	U		
H05 Hauteur totale / Total height	26		
W51 Total width	26		
O33 Deep of bottom part	19		
PACKING			
Box	20 pcs / box U => L:50cm W:43cm H:45cm GW:6,2kg NW:5,2kg		